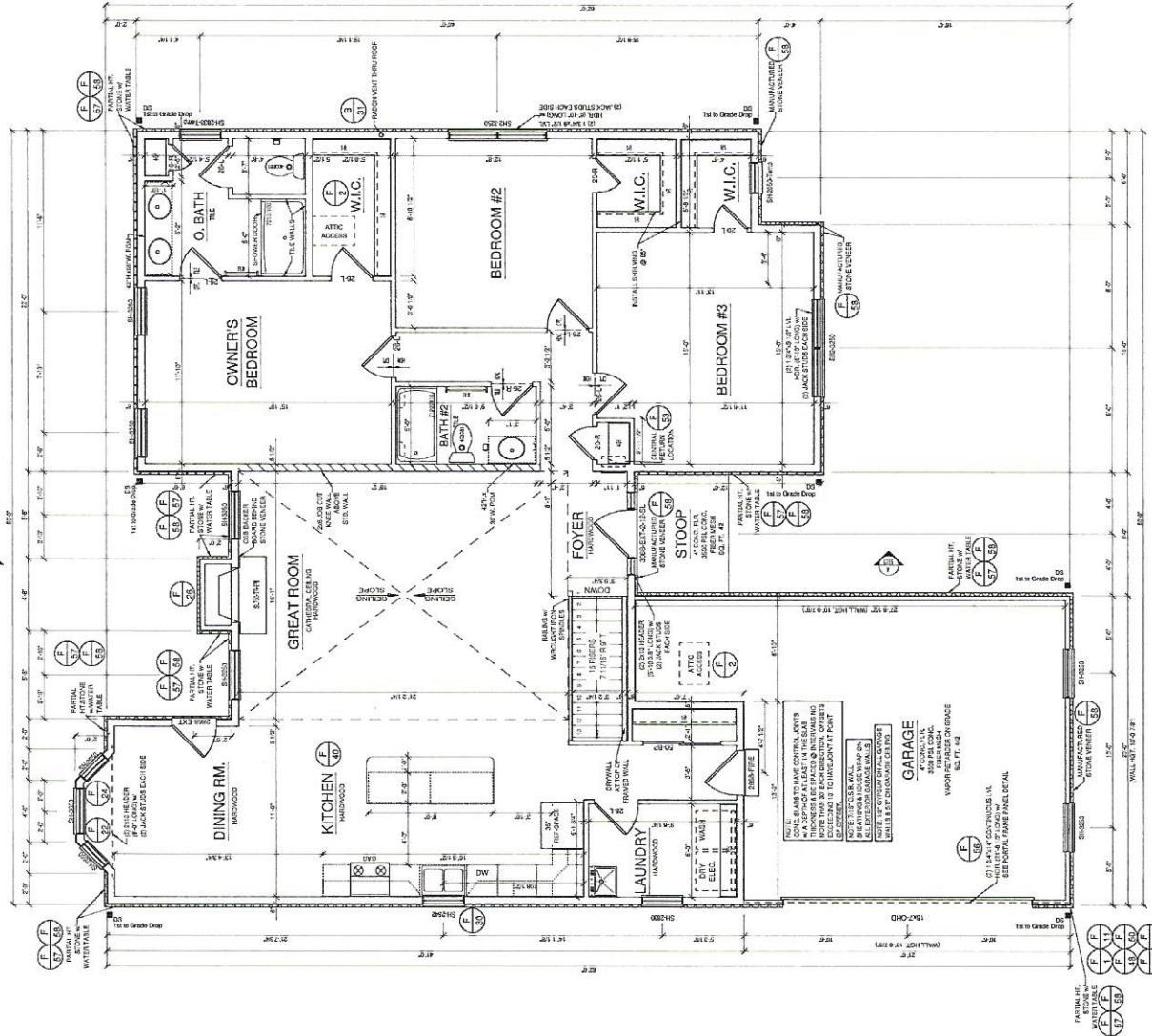
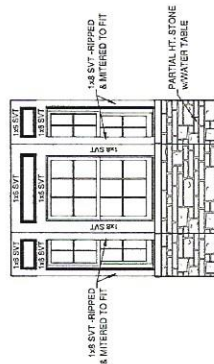
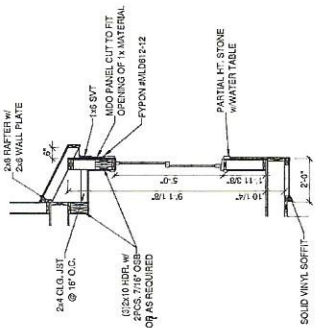


FIRST FLOOR PLAN

SCALE: 3/16" = 1'-0"



ALL FIRST FLOOR WALLS TO BE 8'-1 1/8" AND INCLUDE DEL. TOP PLATES



- USES:
- 1) FLASH WINDOWS
 - 2) INSTALL 1x MATERIAL
 - 3) CUT MOJO TO FIT INTO OPENING OF 1x MATERIAL SEAL EDGES
 - 4) SEAL WITH 1/2\"/>
 - 5) SEAL ALL JOISTS & PANT

45 DEGREE BAY
SCALE: 3/32" = 1'-0"